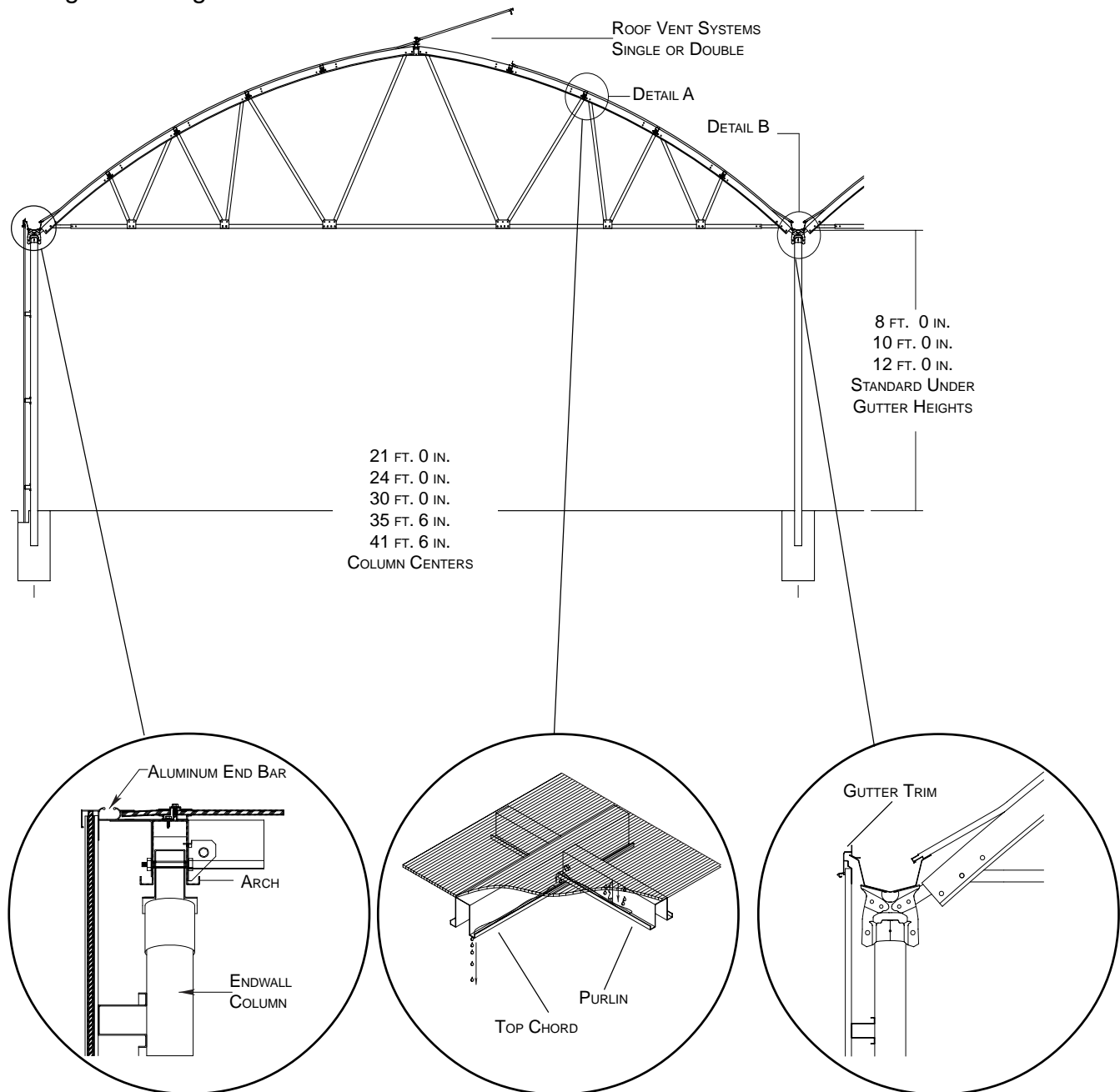


# The Capitol Crown™

provides features that other arch style houses do not achieve:

- The Gothic shape combats overhead drip
- Built-in condensation removal channels
- Roll formed structure for superior strength
- Easy expansion capabilities
- Aluminum vents for roof, sides and gables
- Aluminum finish trim on corners and gables
- Loading capabilities to meet your needs and codes
- Glazing in corrugated polycarbonate, double poly film or twin wall polycarbonate
- Large walk-in gutters



## End Bar Trim

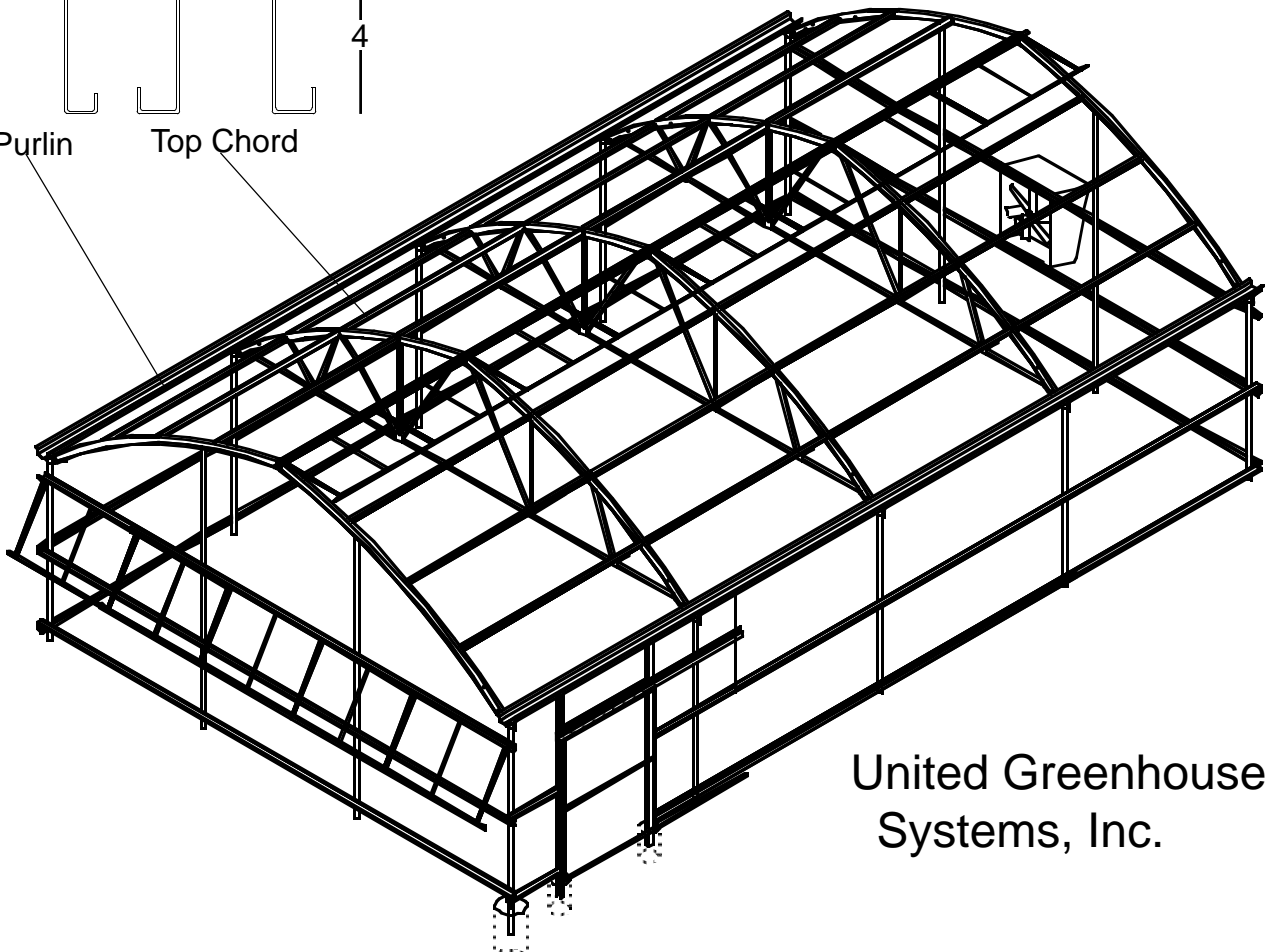
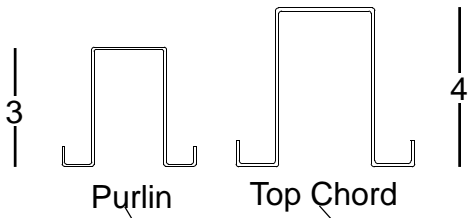
Trims the end of the roof glazing as well as the endwall. Pre-arched to match the truss.

## Condensation Removal

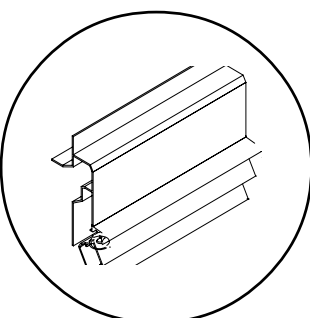
Purlins and top chords carry off condensation in built-in channels to the gutter line.

## Gutter Trim

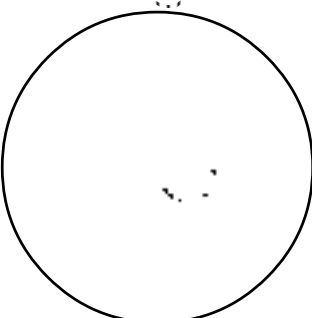
Gutter trim extrusion gives a finished look and receives the sidewall glazing panels.



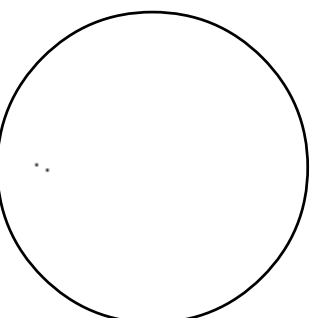
United Greenhouse Systems, Inc.



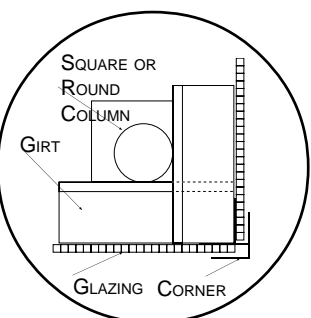
Sidewall & Endwall Vents



Galvanized Steel



Aluminum Poly



Aluminum Corner